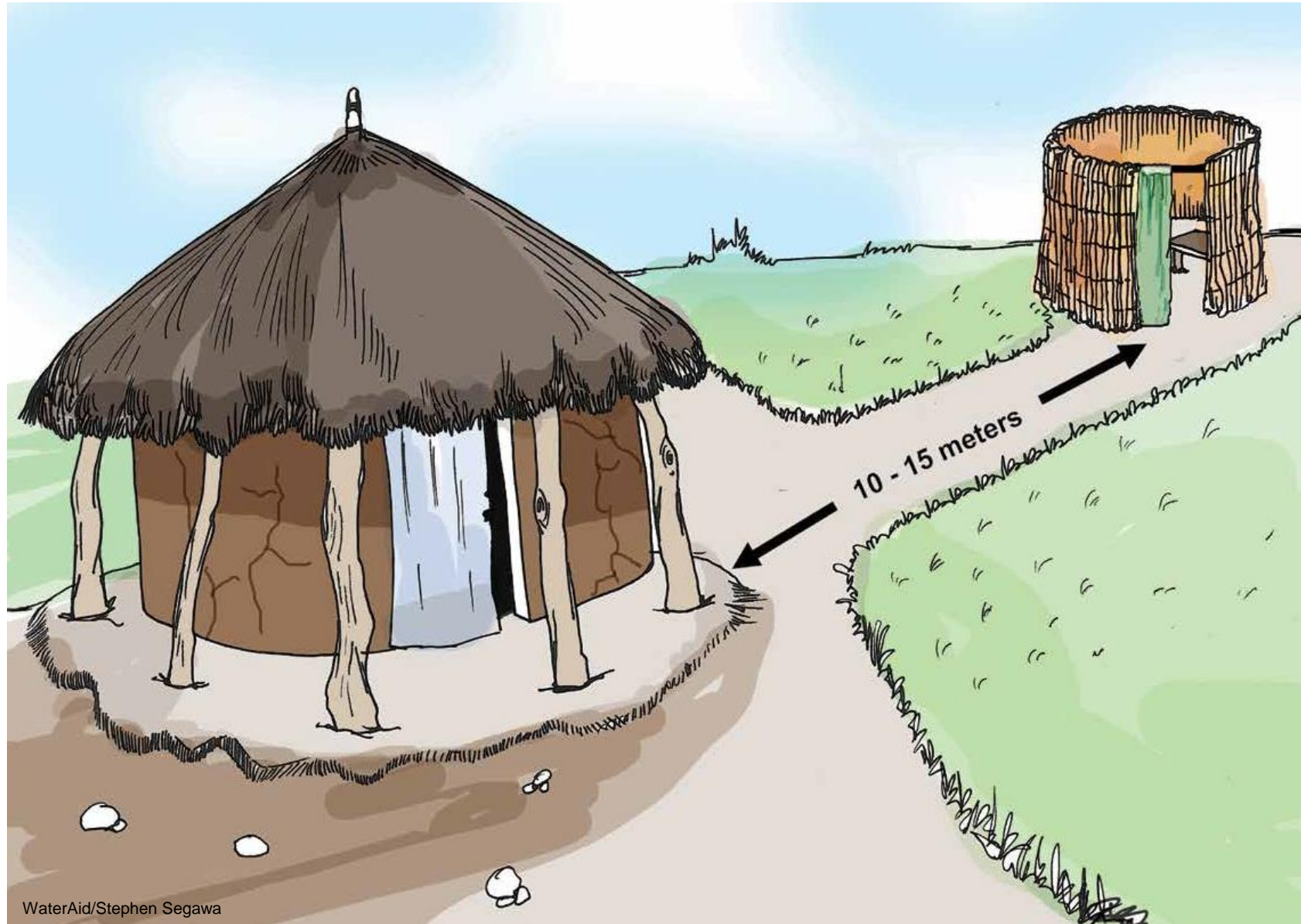


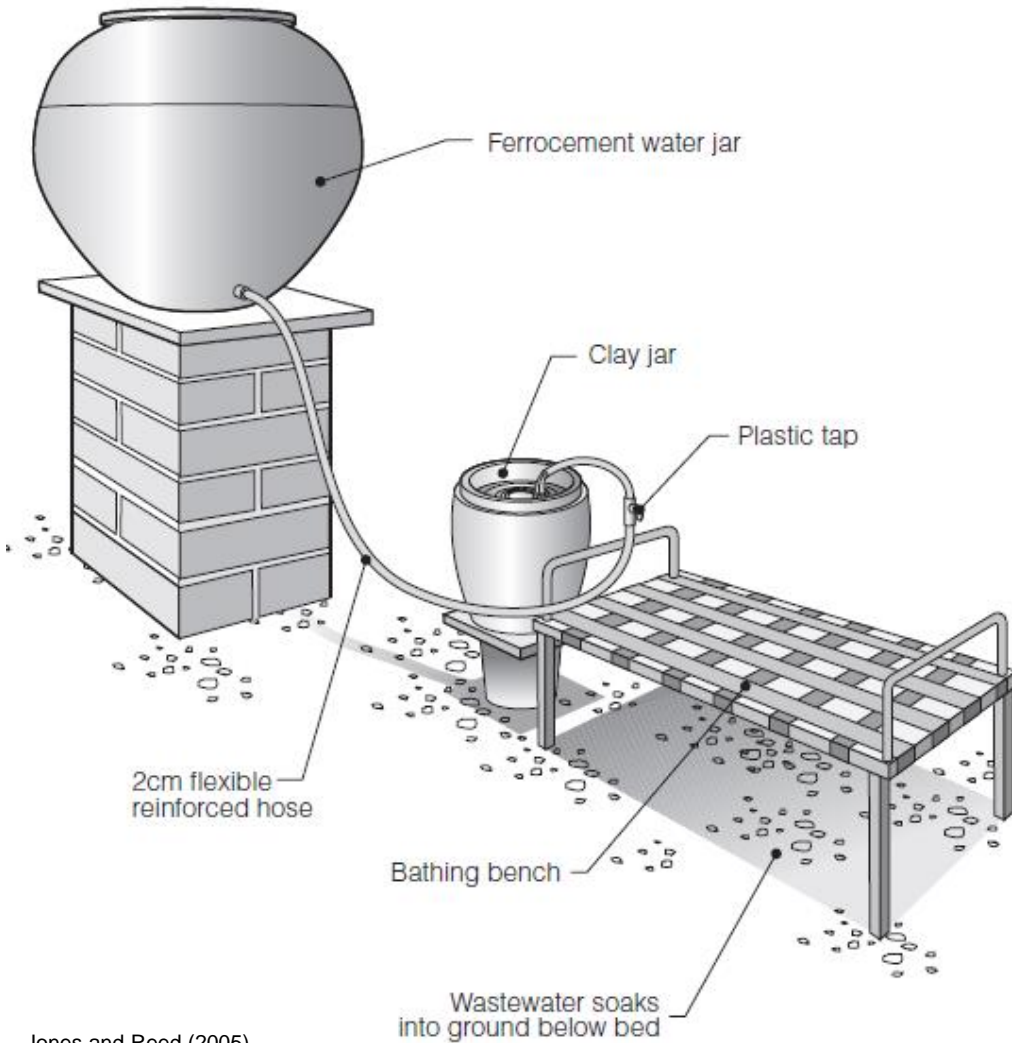
# Siting



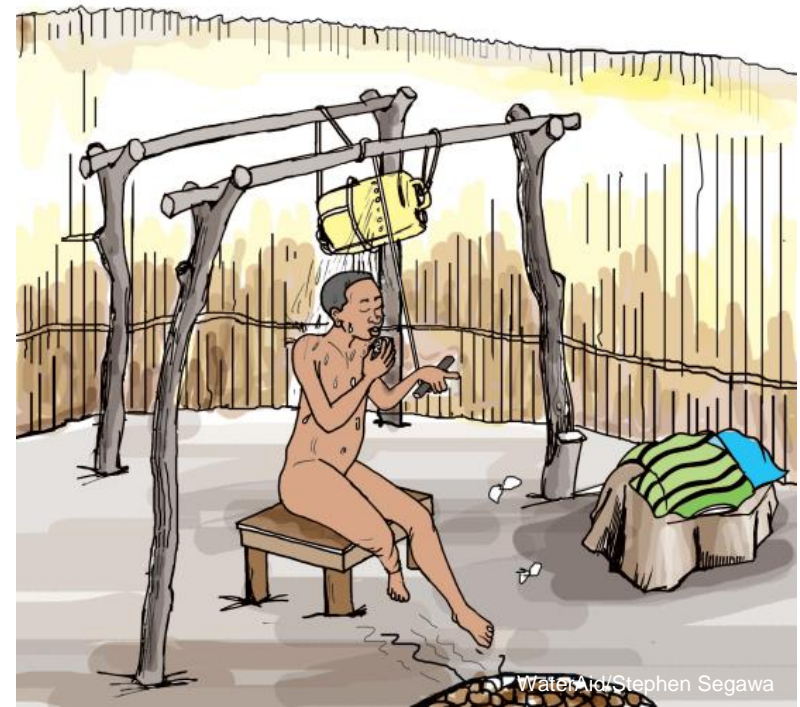
WaterAid/Stephen Segawa

**Page deliberately left blank**

# Water provision



Jones and Reed (2005)



WaterAid/Stephen Segawa



WaterAid/Jane Wilbur

# Water provision

**Suitable for: people who have difficulty carrying water; people who prefer to sit while washing**

## Construction

## Advantages

## Disadvantages

## Improvements/ variations

## Cost/ labour

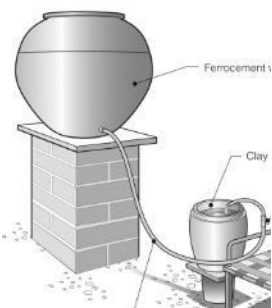
**Elevated large water storage jar with flexible hose, with tap to smaller secondary jar placed next to bathing bench. Water fed by gravity.**

- User does not need to carry water
- Bather can fill secondary water jar when required, using tap to control water flow at point of use
- Main water jar filled by rainwater harvesting, or by other family members at their convenience

- Requires space and regular maintenance
- Relies on rainwater; in dry season large jar must be filled by hand

- A bathing screen would normally be placed around the bathing area
- Storage tank could be made of locally available materials

Medium to high



**Plastic water container hung high in bathroom, and tipped forward by pulling rope so water flows onto bather.**

- User does not need to carry water
- Container can be filled by other family members at their convenience

- Needs to be filled regularly
- Height makes it inconvenient to fill

- Could also be installed in a toilet to provide water for anal cleansing/handwashing
- Connect plastic hose and tap for more controlled water flow

Medium



**Basin/bowl placed on wooden table to raise it to a convenient height for the bather.**

- Low cost
- Little maintenance required

- Bathers are unable to fill basin themselves so are dependant on others to refill it each time they need it

- Basin could be placed on large, flat stone, or a wooden stand

Low



# Seats



# Seats

**Suitable for: bathers with difficulty standing to bathe, e.g. poor balance, mobility difficulties, stiffness, heavily pregnant, high fever**



## Construction

### Stone seat

## Advantages

- Locally available materials (e.g. stones, concrete slab)
- Durable, strong
- Repels water, easy to clean

## Disadvantages

- Stones could be heavy so hard to move
- Might be rough and uncomfortable

## Improvements/ variations

- Use bricks plastered with cement screed or clay paste to make seat smooth
- Inflated inner tube can be placed on rock for comfort

## Cost/ labour

Low



### Wooden stool or chair

- Seat made or bought locally according to the user's specifications

- Seat lacks drainage
- Unfinished wood will deteriorate quickly

- Seal wood with paint/varnish to make it waterproof
- To improve drainage, replace solid seat with slats, or add holes in seat (see right)

Medium



### Metal framed bathing bench with woven seat made of recycled tyre inner tubes

- Soft seat is comfortable to sit
- Rubber repels water
- Webbing provides good drainage

- User sinks into seat, so can be difficult to get up without support
- Might start to sag with extended use

- Wood frame instead of metal

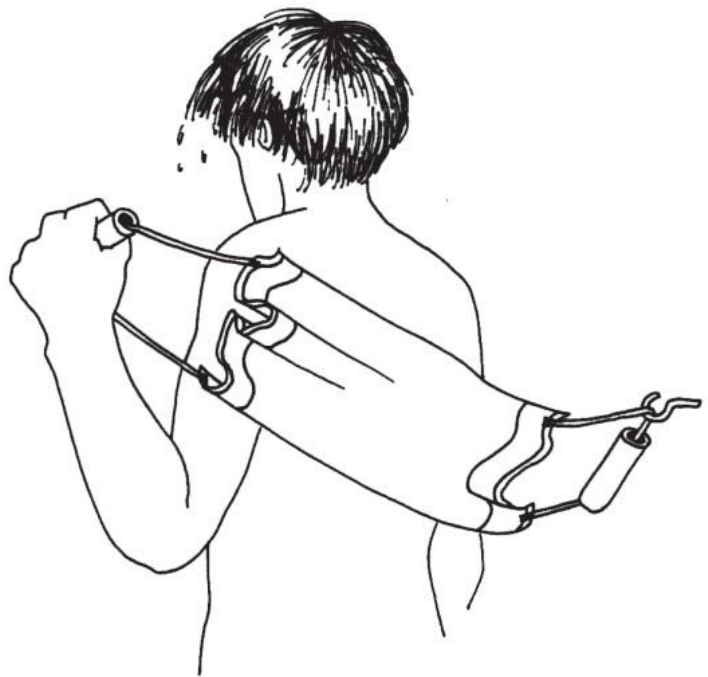
Medium



# Bathing equipment



WaterAid/Stephen Segawa



Van der Hulst et al (1993)



WaterAid/WEDA

# Bathing equipment

## Suitable for: all users

### Construction

### Advantages

### Disadvantages

### Improvements/ variations

### Cost/ labour

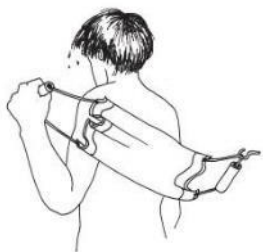


**Hanging string for clothes (ideal height is 1.2 m)**

- Made from locally available materials
- Can be installed at a height suitable for users

- A wooden pole or a rope can be used
- The line could also be used to hang a privacy curtain

Low



**Towel or cloth with a loop or handle at each end. One end is attached to a fixed point, to make it easy to use with one hand.**

- Made from locally available materials

- If a longer towel is used, one loop can be held with a foot
- For a user with no hands, both ends can be fixed

Low



**Bathing sponge: made of old fishing net and sisal wrapped around a stick and tied with a piece of bicycle tube**

- Made from locally available materials
- Not durable

- Any kind of soft material could be used
- Can be adapted for anal cleansing use (and then used solely for that purpose)

Low